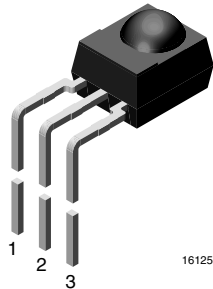


IR Receiver Modules for Remote Control Systems



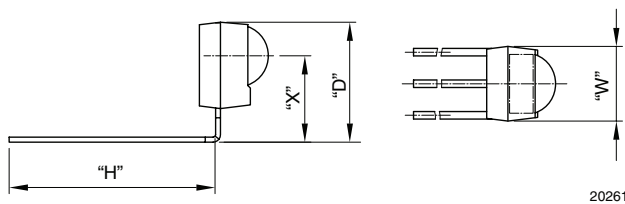
16125

FEATURES

- Compliant to RoHS directive 2002/95/EC and in accordance to WEEE 2002/96/EC

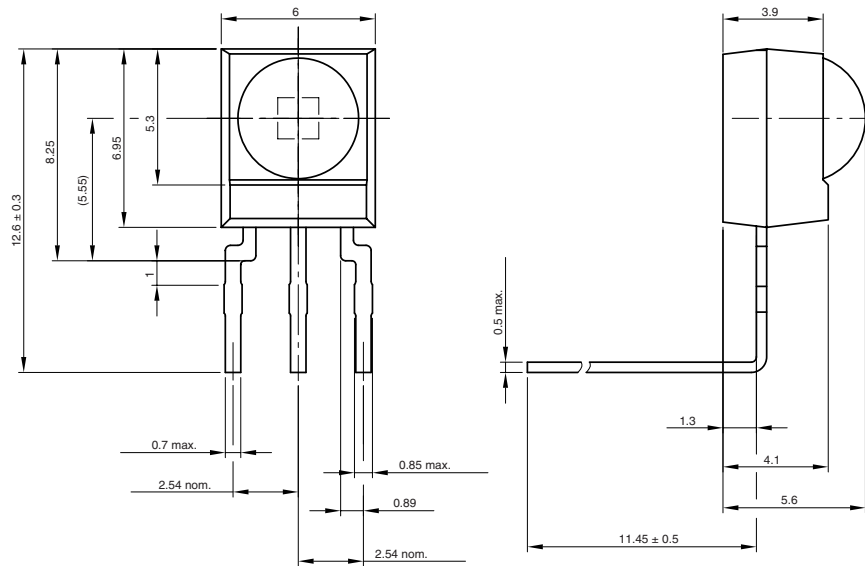

AVAILABLE FOR:

- TSOP34...
- TSOP4....
- TSOP32...
- TSOP2....

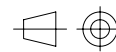
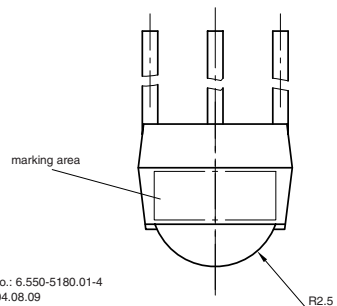

RoHS
COMPLIANT


20261

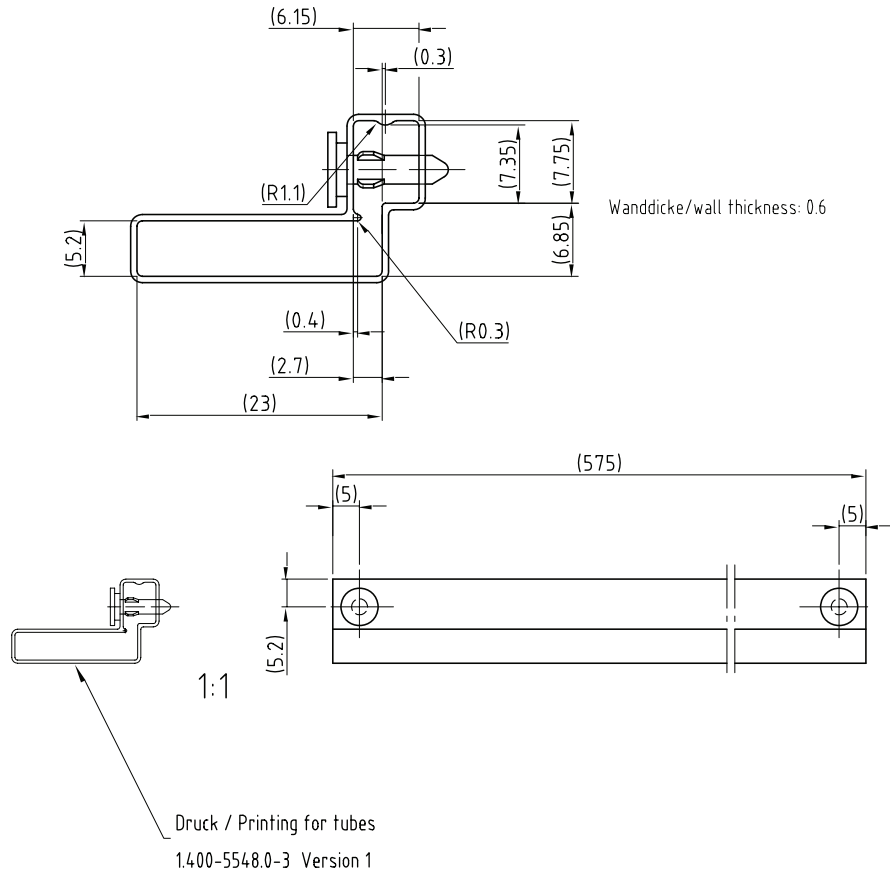
NAME	LENS AXIS (X)	VIEW	TYPE	HEIGHT (H)	WIDTH (W)	DEPTH (D)
SA1	9.9		Bend	11.45	6	12.6

MECHANICAL DIMENSIONS in millimeters


Not indicated tolerances ± 0.2


 technical drawings
according to DIN
specifications

 Drawing-No.: 6.550-5180.01-4
Issue: 4; 04.08.09
16075

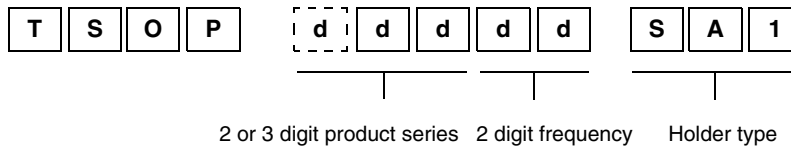
PACKAGING DIMENSIONS in millimeters



Drawing-No.: 9.700-5213.0-4
Rev. 6; Date: 20.11.03

20262-1

ORDERING INFORMATION



Note

d = "digit", please consult the list of available series on the previous page to create a valid part number.

Example: TSOP14838SA1

PACKING QUANTITY

- 90 pieces per tube
- 24 tubes per carton